

The xGrind HPS 20 manual chuck is the **high-precision chuck** of our xGrind series.



GDS developed the innovative xGrind series for precision clamping on tool grinding machines.

Due to the excellent dampening properties of our xGrind HPS 20, vibrations during the grind are attenuated.

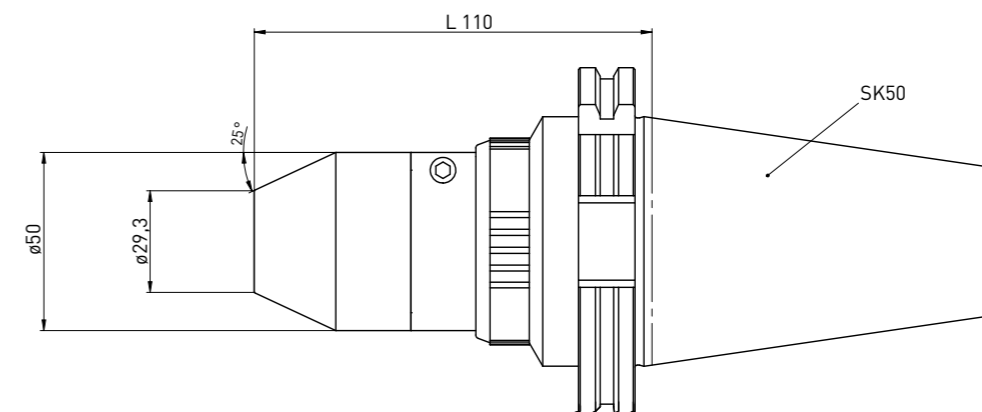
Workpiece surface quality is absolutely consistent and ensures that you can meet tight manufacturing tolerances. Abrasion and wear of your grinding wheel is reduced.

The xGrind HPS also provides consistent clamping force and accurate concentricity even with a relatively short clamping length of 2.5 x D.

The xGrind HPS 20 creates perfect conditions for a predictable and stable grinding operation.

GDS -precision is our passion

xGrind **HPS 20 SK50**



Delivery includes:

wrench

Item No.	Name	d	L
400005000	xGrind HPS SK50	29,3	110
400005100	xGrind HPS SK50 complete set (incl. collets ø3-20mm)	29,3	110

HPS collets see on the following pages.



High concentricity and repeatability.

Very economical due to excellent durability.


Slim profile for optimal wheel clearance.

Wide clamping range for outstanding versatility.

Easy handling saves time – 45% less than conventional clamping techniques.

Our collet wrench ensures safe operation.

Very low long-term operating cost due to excellent durability and affordable overhaul and repair options.

Item No.	Name
350270002	Alignment set HPS (excl. dial gauges) 
	Incl. HPS collets ø8 and ø10, test pin ø8 and ø10 dial gauges available separately
350270003	Dial gauges (2 pcs.)

Accessories:

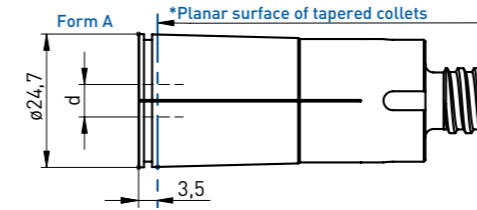
Item No.	Name
350270004	Torque screwdriver xGrind HPS



HPS collets for xGrind and µGrind booster HPS 20 // HPS 20 L

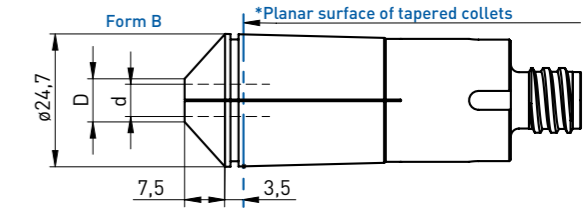


Accessories flat collets:

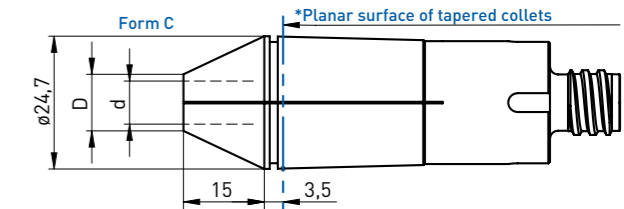


Item No.	Name - ϕ d	Form
350260003	HPS collet 20 - ϕ 3 mm	A
350260004	HPS collet 20 - ϕ 4 mm	A
350260005	HPS collet 20 - ϕ 5 mm	A
350260006	HPS collet 20 - ϕ 6 mm	A
350260007	HPS collet 20 - ϕ 7 mm	A
350260008	HPS collet 20 - ϕ 8 mm	A
350260009	HPS collet 20 - ϕ 9 mm	A
350260010	HPS collet 20 - ϕ 10 mm	A
350260011	HPS collet 20 - ϕ 11 mm	A
350260012	HPS collet 20 - ϕ 12 mm	A
350260013	HPS collet 20 - ϕ 13 mm	A
350260014	HPS collet 20 - ϕ 14 mm	A
350260015	HPS collet 20 - ϕ 15 mm	A
350260016	HPS collet 20 - ϕ 16 mm	A
350260017	HPS collet 20 - ϕ 17 mm	A
350260018	HPS collet 20 - ϕ 18 mm	A
350260019	HPS collet 20 - ϕ 19 mm	A
350260020	HPS collet 20 - ϕ 20 mm	A
350260201	HPS collet 20 - ϕ 1/8"	A
350260202	HPS collet 20 - ϕ 3/16"	A
350260203	HPS collet 20 - ϕ 1/4"	A
350260204	HPS collet 20 - ϕ 5/16"	A
350260205	HPS collet 20 - ϕ 3/8"	A
350260206	HPS collet 20 - ϕ 7/16"	A
350260207	HPS collet 20 - ϕ 1/2"	A
350260208	HPS collet 20 - ϕ 9/16"	A
350260209	HPS collet 20 - ϕ 5/8"	A
350260210	HPS collet 20 - ϕ 11/16"	A
350260211	HPS collet 20 - ϕ 3/4"	A

Accessories tapered collets:



Item No.	Name - ϕ d	Form
350260130	HPS collet 20K - ϕ 2,35 mm	B
350260103	HPS collet 20K - ϕ 3 mm	B
350260104	HPS collet 20K - ϕ 4 mm	B
350260105	HPS collet 20K - ϕ 5 mm	B
350260106	HPS collet 20K - ϕ 6 mm	B
350260301	HPS collet 20K - ϕ 1/8"	B
350260302	HPS collet 20K - ϕ 3/16"	B
350260303	HPS collet 20K - ϕ 1/4"	B



Item No.	Name - ϕ d	Form
350260107	HPS collet 20K - ϕ 7 mm	C
350260108	HPS collet 20K - ϕ 8 mm	C
350260109	HPS collet 20K - ϕ 9 mm	C
350260110	HPS collet 20K - ϕ 10 mm	C
350260111	HPS collet 20K - ϕ 11 mm	C
350260112	HPS collet 20K - ϕ 12 mm	C
350260304	HPS collet 20K - ϕ 5/16"	C
350260305	HPS collet 20K - ϕ 3/8"	C
350260306	HPS collet 20K - ϕ 7/16"	C
350260307	HPS collet 20K - ϕ 1/2"	C



Minimum clamping depth of 2,5 x ϕ from *clamping chuck's plane surface.