

The xGrind HPS 20 manual chuck is the **high-precision chuck** of our xGrind series.



GDS developed the innovative xGrind series for precision clamping on tool grinding machines.

Due to the excellent dampening properties of our xGrind HPS 20, vibrations during the grind are attenuated.

Workpiece surface quality is absolutely consistent and ensures that you can meet tight manufacturing tolerances. Abrasion and wear of your grinding wheel is reduced.

The xGrind HPS also provides consistent clamping force and accurate concentricity even with a relatively short clamping length of 2.5 x D.

The xGrind HPS 20 creates perfect conditions for a predictable and stable grinding operation.



High concentricity and repeatability.

Very economical due to excellent durability.

Slim profile for optimal wheel clearance.

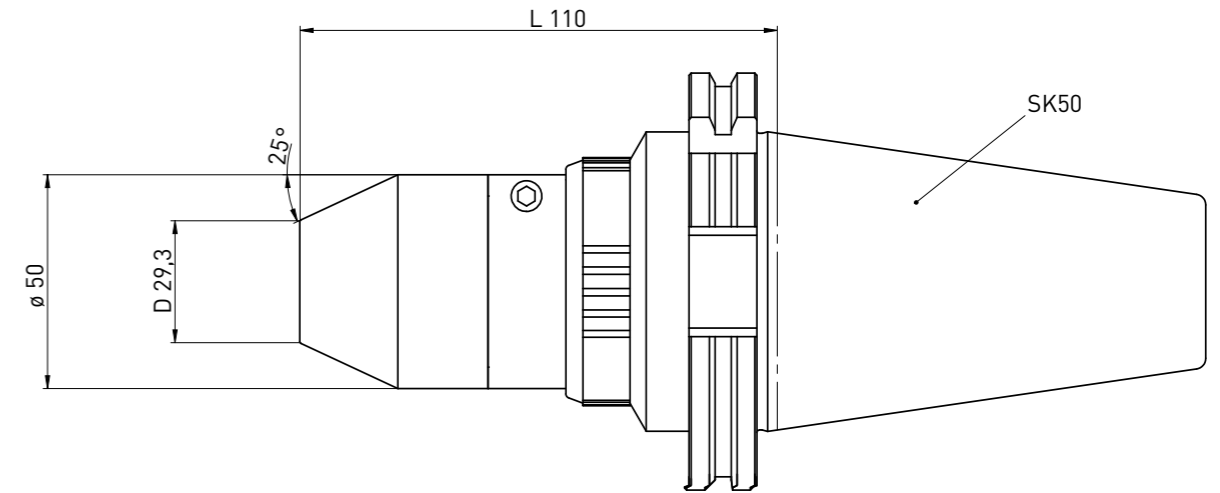
Wide clamping range for outstanding versatility.

Easy handling saves time – 45% less than conventional clamping techniques.

Our collet wrench ensures safe operation.

Very low long-term operating cost due to excellent durability and affordable overhaul and repair options.

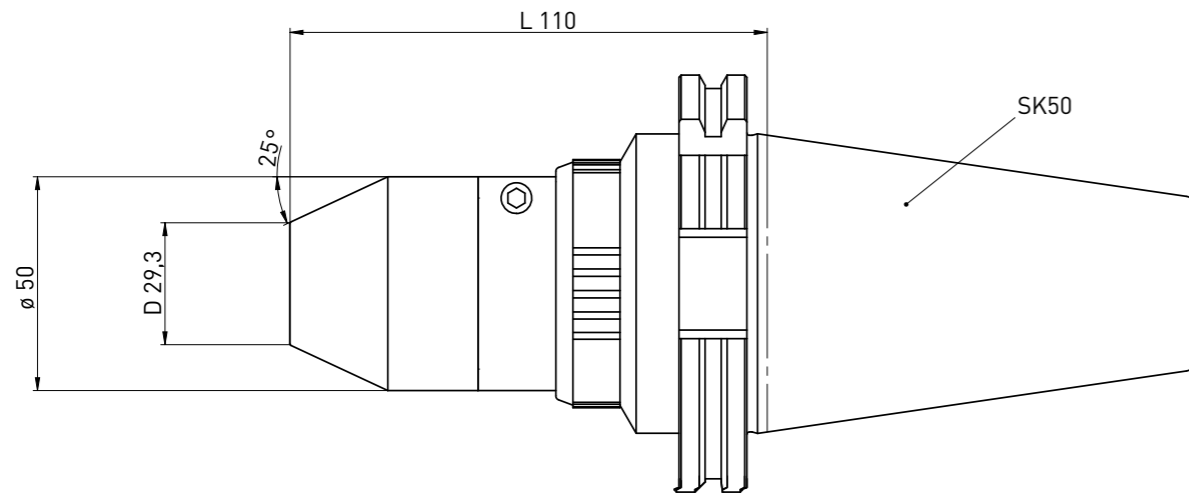
xGrind HPS20 ISO/SK 50



Delivery includes: Clamping wrench

Item no.	Name	Ring color	D	L
400005000	xGrind HPS 20 ANCA	Green	29,3	110
400005000	xGrind HPS 20 Deckel/ISOG	Green	29,3	110
400005000	xGrind HPS 20 Haas	Green	29,3	110
400005000	xGrind HPS 20 Hawema	Green	29,3	110
400005000	xGrind HPS 20 Joerg S-tech ⁺	Green	29,3	110
400005000	xGrind HPS 20 Reinecker	Green	29,3	110
400005000	xGrind HPS 20 Saacke	Green	29,3	110
400005000	xGrind HPS 20 Schneeberger	Green	29,3	110
400005000	xGrind HPS 20 Schütte	Green	29,3	110
400005000	xGrind HPS 20 SMP	Green	29,3	110
400005000	xGrind HPS 20 Star	Green	29,3	110
400005000	xGrind HPS 20 Strausak	Green	29,3	110
400005000	xGrind HPS 20 TGT	Green	29,3	110
400005000	xGrind HPS 20 Vollmer	Green	29,3	110
400005000	xGrind HPS 20 Walter	Green	29,3	110

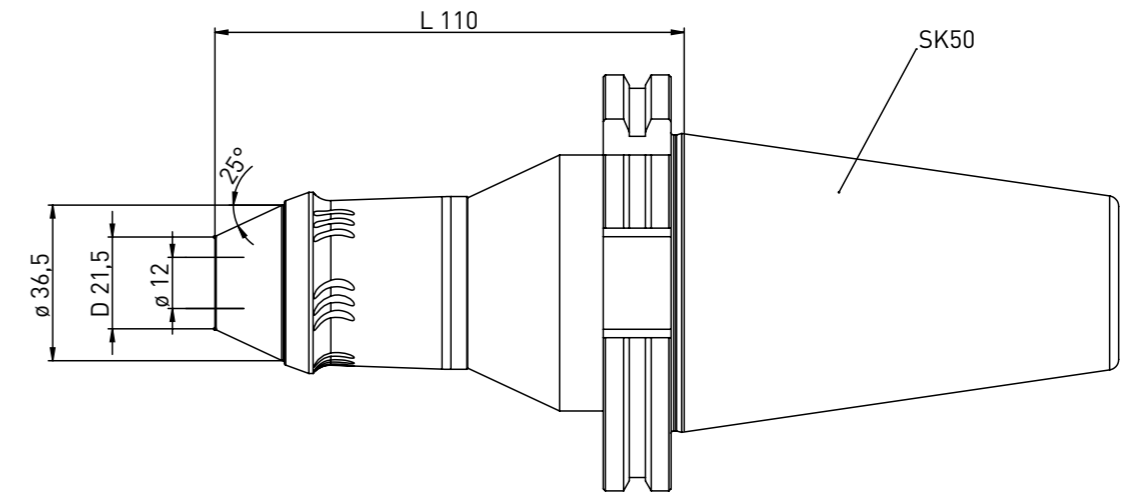
xGrind HPS20 ISO/SK 50 Complete set



Delivery includes: Clamping wrench, collets ø3-20mm

Item no.	Name	Ring color	D	L
400005100	xGrind HPS 20 ANCA complete set (incl. collets ø3-20mm)	Green	29,3	110
400005100	xGrind HPS 20 Deckel/ISOG complete set (incl. collets ø3-20mm)	Green	29,3	110
400005100	xGrind HPS 20 Haas complete set (incl. collets ø3-20mm)	Green	29,3	110
400005100	xGrind HPS 20 Hawema complete set (incl. collets ø3-20mm)	Green	29,3	110
400005100	xGrind HPS 20 Joerg S-tech+ complete set (incl. collets ø3-20mm)	Green	29,3	110
400005100	xGrind HPS 20 Reinecker complete set (incl. collets ø3-20mm)	Green	29,3	110
400005100	xGrind HPS 20 Saacke complete set (incl. collets ø3-20mm)	Green	29,3	110
400005100	xGrind HPS 20 Schneeberger complete set (incl. collets ø3-20mm)	Green	29,3	110
400005100	xGrind HPS 20 Schütte complete set (incl. collets ø3-20mm)	Green	29,3	110
400005100	xGrind HPS 20 SMP complete set (incl. collets ø3-20mm)	Green	29,3	110
400005100	xGrind HPS 20 Star complete set (incl. collets ø3-20mm)	Green	29,3	110
400005100	xGrind HPS 20 Strausak complete set (incl. collets ø3-20mm)	Green	29,3	110
400005100	xGrind HPS 20 TGT complete set (incl. collets ø3-20mm)	Green	29,3	110
400005100	xGrind HPS 20 Vollmer complete set (incl. collets ø3-20mm)	Green	29,3	110
400005100	xGrind HPS 20 Walter complete set (incl. collets ø3-20mm)	Green	29,3	110

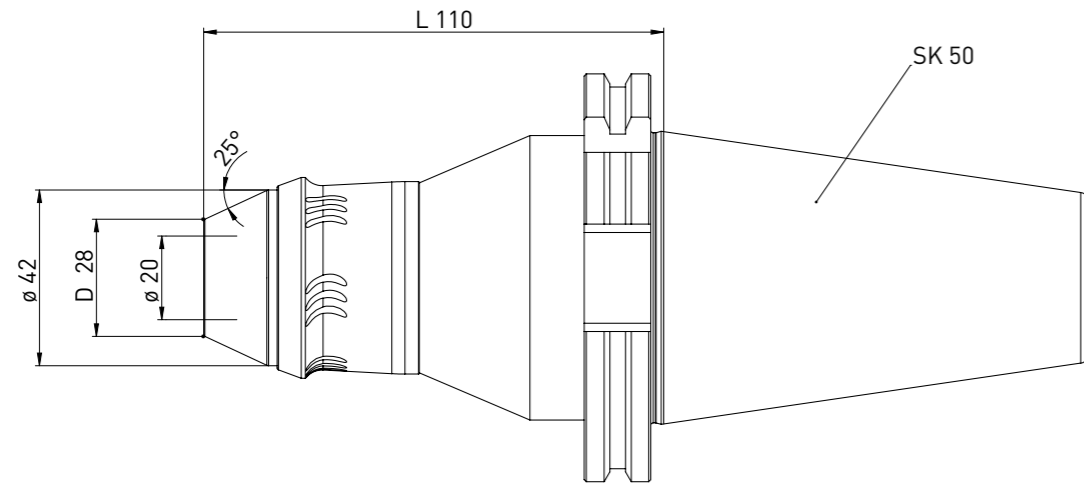
xGrind Hydro ø12 ISO/SK 50



Delivery includes: Clamping wrench

Item no.	Name	Ring color	D	L
400005011	xGrind Hydro ø12 ANCA	Green	21,5	110
400005011	xGrind Hydro ø12 Deckel/ISOG	Green	21,5	110
400005011	xGrind Hydro ø12 Haas	Green	21,5	110
400005011	xGrind Hydro ø12 Hawema	Green	21,5	110
400005011	xGrind Hydro ø12 Joerg S-tech+	Green	21,5	110
400005011	xGrind Hydro ø12 Reinecker	Green	21,5	110
400005011	xGrind Hydro ø12 Saacke	Green	21,5	110
400005011	xGrind Hydro ø12 Schneeberger	Green	21,5	110
400005011	xGrind Hydro ø12 Schütte	Green	21,5	110
400005011	xGrind Hydro ø12 SMP	Green	21,5	110
400005011	xGrind Hydro ø12 Star	Green	21,5	110
400005011	xGrind Hydro ø12 Strausak	Green	21,5	110
400005011	xGrind Hydro ø12 TGT	Green	21,5	110
400005011	xGrind Hydro ø12 Vollmer	Green	21,5	110
400005011	xGrind Hydro ø12 Walter	Green	21,5	110

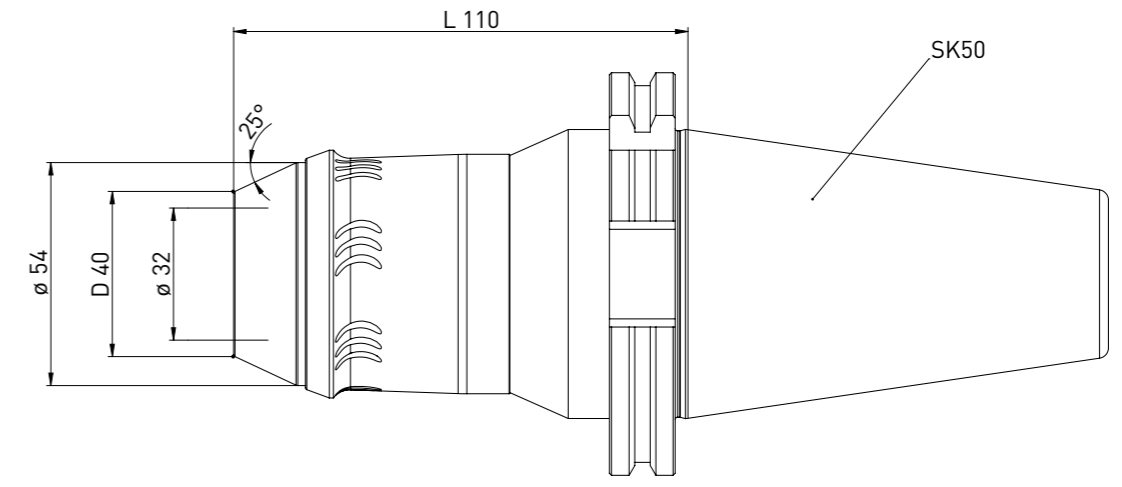
xGrind Hydro ø20 ISO/SK 50



Delivery includes: Clamping wrench

Item no.	Name	Ring color	D	L
400005012	xGrind Hydro ø20 ANCA	Green	28	110
400005012	xGrind Hydro ø20 Deckel/ISOG	Green	28	110
400005012	xGrind Hydro ø20 Haas	Green	28	110
400005012	xGrind Hydro ø20 Hawema	Green	28	110
400005012	xGrind Hydro ø20 Joerg S-tech ⁺	Green	28	110
400005012	xGrind Hydro ø20 Reinecker	Green	28	110
400005012	xGrind Hydro ø20 Saacke	Green	28	110
400005012	xGrind Hydro ø20 Schneeberger	Green	28	110
400005012	xGrind Hydro ø20 Schütte	Green	28	110
400005012	xGrind Hydro ø20 SMP	Green	28	110
400005012	xGrind Hydro ø20 Star	Green	28	110
400005012	xGrind Hydro ø20 Strausak	Green	28	110
400005012	xGrind Hydro ø20 TGT	Green	28	110
400005012	xGrind Hydro ø20 Vollmer	Green	28	110
400005012	xGrind Hydro ø20 Walter	Green	28	110

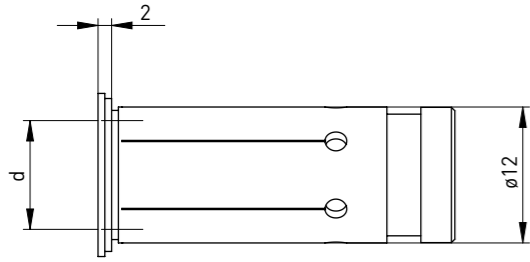
xGrind Hydro ø32 ISO/SK 50



Delivery includes: Clamping wrench

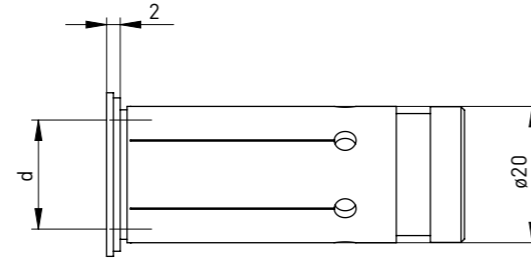
Item no.	Name	Ring color	D	L
400005013	xGrind Hydro ø32 ANCA	Green	40	110
400005013	xGrind Hydro ø32 Deckel/ISOG	Green	40	110
400005013	xGrind Hydro ø32 Haas	Green	40	110
400005013	xGrind Hydro ø32 Hawema	Green	40	110
400005013	xGrind Hydro ø32 Joerg S-tech ⁺	Green	40	110
400005013	xGrind Hydro ø32 Reinecker	Green	40	110
400005013	xGrind Hydro ø32 Saacke	Green	40	110
400005013	xGrind Hydro ø32 Schneeberger	Green	40	110
400005013	xGrind Hydro ø32 Schütte	Green	40	110
400005013	xGrind Hydro ø32 SMP	Green	40	110
400005013	xGrind Hydro ø32 Star	Green	40	110
400005013	xGrind Hydro ø32 Strausak	Green	40	110
400005013	xGrind Hydro ø32 TGT	Green	40	110
400005013	xGrind Hydro ø32 Vollmer	Green	40	110
400005013	xGrind Hydro ø32 Walter	Green	40	110

Intermediate sleeves for xGrind Hydro $\phi 12$:



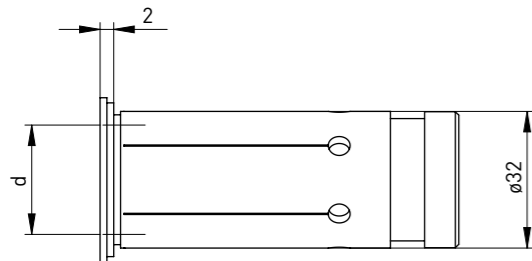
Item no.	Name	d
350110601	Intermediate sleeve $\phi 12$	3
350110602	Intermediate sleeve $\phi 12$	4
350110603	Intermediate sleeve $\phi 12$	5
350110604	Intermediate sleeve $\phi 12$	6
350110605	Intermediate sleeve $\phi 12$	8

Intermediate sleeves for xGrind Hydro $\phi 20$:



Item no.	Name	d
350110606	Intermediate sleeve $\phi 20$	3
350110607	Intermediate sleeve $\phi 20$	4
350110608	Intermediate sleeve $\phi 20$	5
350110609	Intermediate sleeve $\phi 20$	6
350110610	Intermediate sleeve $\phi 20$	7
350110611	Intermediate sleeve $\phi 20$	8
350110612	Intermediate sleeve $\phi 20$	9
350110613	Intermediate sleeve $\phi 20$	10
350110614	Intermediate sleeve $\phi 20$	11
350110615	Intermediate sleeve $\phi 20$	12
350110616	Intermediate sleeve $\phi 20$	13
350110617	Intermediate sleeve $\phi 20$	14
350110618	Intermediate sleeve $\phi 20$	15
350110619	Intermediate sleeve $\phi 20$	16

Intermediate sleeves for xGrind Hydro $\phi 32$:

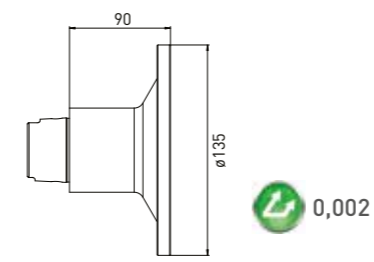


Item no.	Name	d
350110707	Intermediate sleeve $\phi 32$	6
350110708	Intermediate sleeve $\phi 32$	8
350110709	Intermediate sleeve $\phi 32$	10
350110710	Intermediate sleeve $\phi 32$	12
350110711	Intermediate sleeve $\phi 32$	14
350110712	Intermediate sleeve $\phi 32$	16
350110713	Intermediate sleeve $\phi 32$	18
350110714	Intermediate sleeve $\phi 32$	20
350110715	Intermediate sleeve $\phi 32$	25

Accessories:

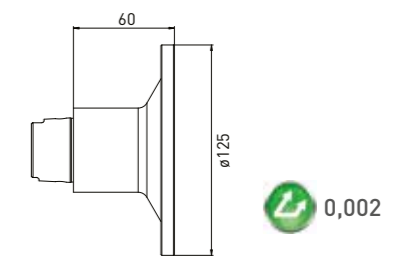
Item no.	Name
350270004	Torque screwdriver xGrind HPS

HSK 50 Test and angle dial



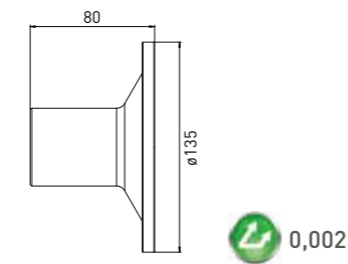
Item no.	Name
350090010	Test and angle dial HSK 50

HSK 40 Test and angle dial



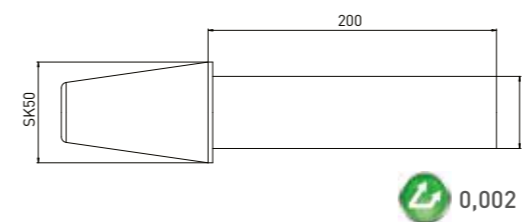
Item no.	Name
350090020	Test and angle dial HSK 40

Test and angle dial



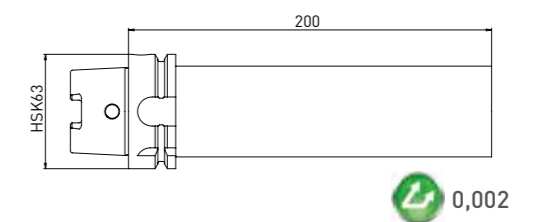
Item no.	Name
350090030	Angle dial Haas/Walter taper 31.75

ISO/SK 50 Test mandrel



Item no.	Name
350090040	Test mandrel SK50 x $\phi 50$ x 200

HSK 63 Test mandrel



Item no.	Name
350090050	Test mandrel HSK 63 x $\phi 50$ x 200